

eubus HCU4 – Handover and Coupling Unit

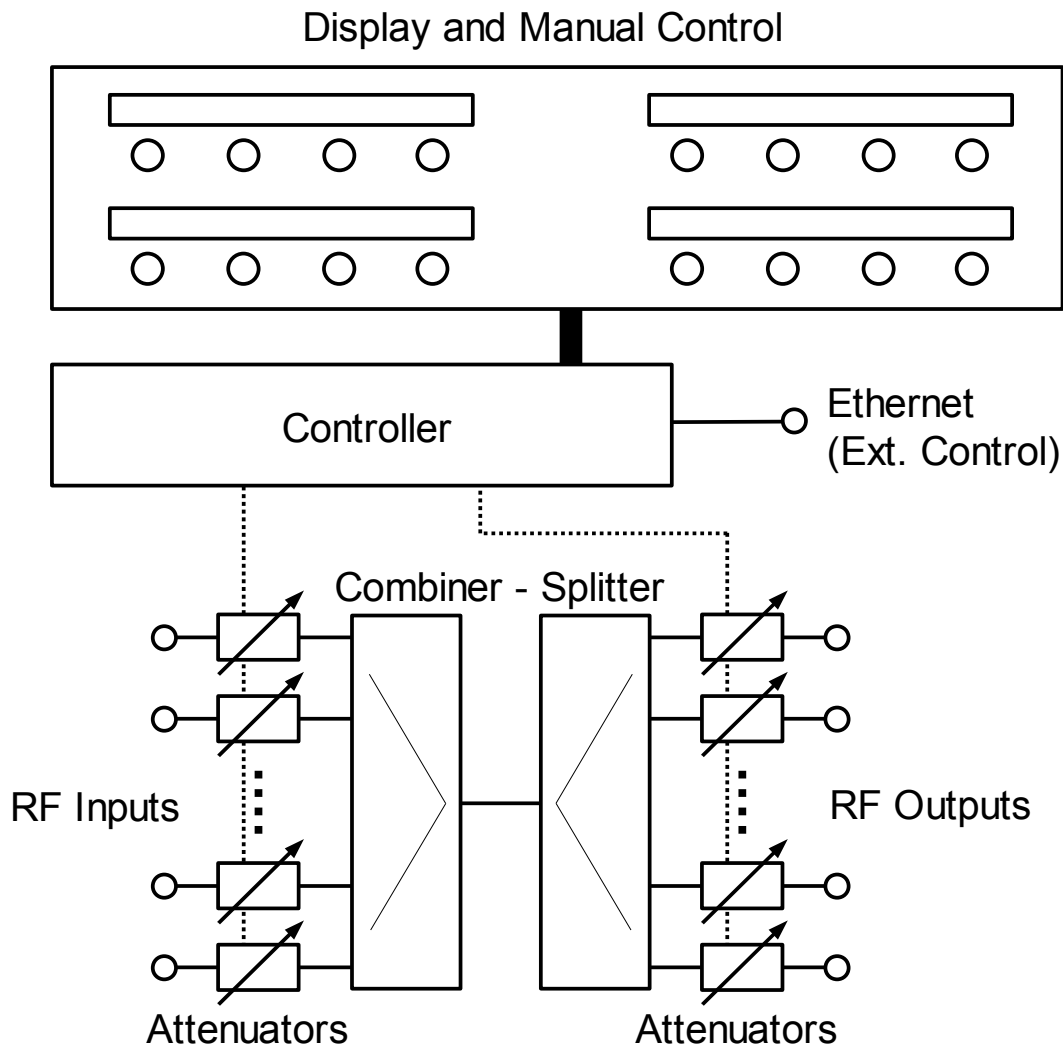
The eubus HCU4 has between 4 and 16 precision attenuators and up to 32 inputs and outputs that permit complex radio hop simulations such as it is required for handover test scenarios.

The system can be linked up and controlled via Ethernet and thus easily integrated in a network.

A HCU4 can be controlled remotely from a standard terminal program, a web browser or the eubus Controller Software. Our open interface protocol can be used to implement the HCU4 in existing systems.

However, the HCU4 can also be operated manually whenever necessary.

The frequency range is 0.5-3.0GHz or 0.7-6.0GHz



Features:

- Precision electronically switchable attenuator system for RF applications
- Designed for easy to use handover scenarios
- Frequency range: 0.5 – 3.0GHz with 0.5dB attenuation increments or 0.7 – 6.0 GHz with 1dB increments
- Maximum attenuation: 0.5 – 3.0GHz: 95.5dB, 0.7 – 6.0 GHz: 63dB plus Splitter – Combiner loss
- Standard version of 4 to 16 precision attenuators with up to 32 inputs and outputs
- Attenuation and offset can be set by multifunctional knobs or remotely by Ethernet
- Firmware update function implemented (over Ethernet)
- Comes with flexible steering software
- Attenuation values can be stored
- Suitable for any lab or field application
- Very flexible and adaptable
- Compact and stable 19" housing

The HCU4 can also be operated manually whenever necessary.

The included NAM Controller Software can be used to create professional long term tests that run automatically for a specific period for the purpose of load simulations etc.

Technical Data:

Type	HCU4
Frequency Range	0.5 – 3.0GHz or 0.7 – 6.0GHz
Attenuation	up to 95.5dB in 0.5dB increments (3GHz) up to 63dB in 1.0dB increments (6GHz) plus Combiner / Splitter loss
Insertion Loss	< 6dB (1GHz), <7.5dB (6GHz) plus Combiner / Splitter loss
Impedance	50 Ohm
RF Connectors	N(f), SMA(f) or customized Front or Backside
Input Power	max. 100mW average
Frequency Bands	GSM (450, 900, 1900 MHz), UMTS, WLAN, WiMAX, Bluetooth, UMTS LTE
Ambient Temperature	0°C ... +50°C
Power Supply	100V – 240V, 47Hz - 63Hz
Housing	19" aluminum with 2U to 6U, depending on required channels
Delivery Package	HCU4 system, NAM controller software and power cable
Warranty	12 months

Customer specific versions are available on request

Example:

HCU4-8x4 with N(f) on Front and Back

