

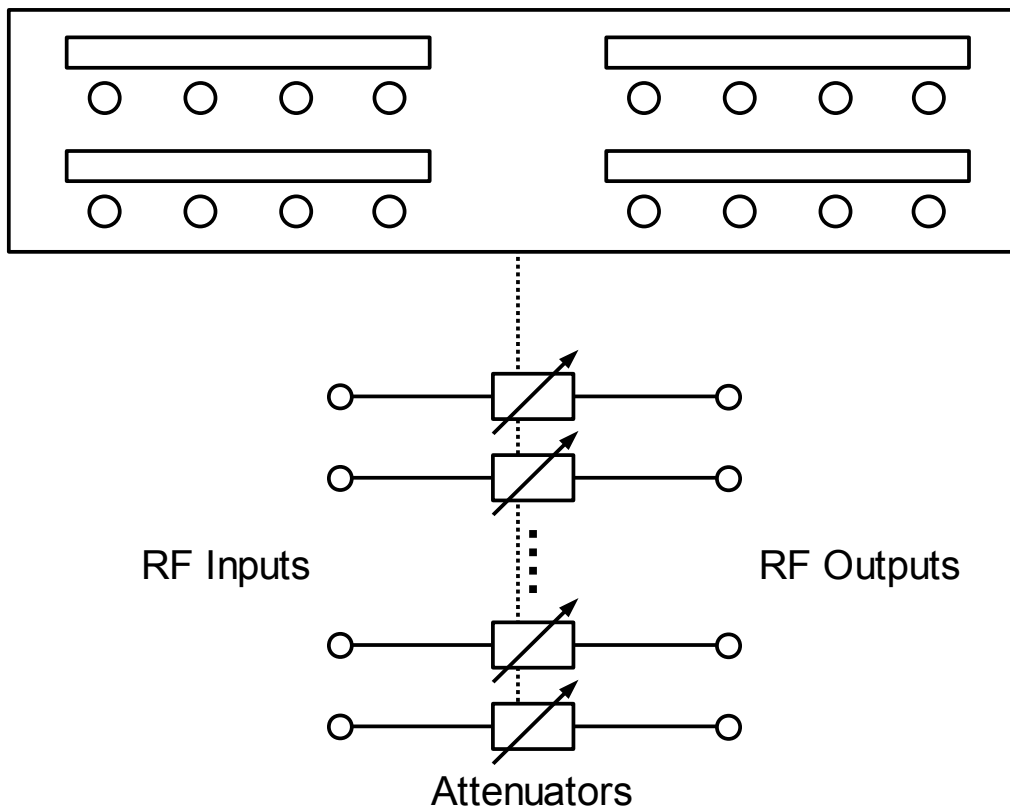
eubus MAM4 – Manual Attenuator Module

The eubus MAM4 has between 4 and 16 precision attenuators and 4 up to 16 inputs and outputs that permit complex radio hop simulations such as it is required for handover test scenarios.

The MAM4 is a low cost manual version of the remotely controlled NAM4 and can be easily operated by multifunctional knobs. Except the network functions, all other features of the NAM4 are included in the manual system.

The frequency range is 0.38-3.0GHz or 0.7-6.0GHz

Display and Manual Control



Features:

- Precision electronically switchable attenuator system for RF applications
- Designed for easy to use radio hop simulations and handover scenarios
- Frequency range: 0.38 – 3.0GHz with 0.5dB increments or 0.7 – 6.0 GHz with 1dB increments
- Maximum attenuation: 0.38 – 3.0GHz: 95.5dB, 0.7 – 6.0 GHz: 63dB
- Standard version of 4 to 16 precision attenuators with 4 to 16 inputs and outputs
- Attenuation and offset can be set by multifunctional knobs
- Attenuation values can be stored
- Suitable for any lab or field application
- Very flexible and adaptable
- Compact and stable 19" housing
- A "Network Attenuator System", NAM4 with Ethernet connection and steering software is also available

The eubus MAM4 – Manual Attenuator Module – is the latest descendant of the eubus NAM (Network Attenuator Module) product family. It is a low cost module with outstanding features like the memory function for keeping always the latest offset dB adjustment – even without power supply. And it is an extremely convenient solution for the everyday testing tasks.

Technical Data:

Type	MAM4
Frequency Range	0.38 – 3.0GHz or 0.7 – 6.0GHz
Attenuation	up to 95.5dB in 0.5dB increments (3GHz) up to 63dB in 1.0dB increments (6GHz)
Insertion Loss	< 6dB (1GHz), <7.5dB (6GHz)
Impedance	50 Ohm
RF Connectors	N(f), SMA(f) or customized Front or Backside
Input Power	max. 100mW average
Frequency Bands	GSM (450, 900, 1900 MHz), UMTS, WLAN, WiMAX, Bluetooth, LTE
Ambient Temperature	0°C ... +50°C
Power Supply	100V – 240V, 47Hz - 63Hz
Housing	19" aluminum with 2U to 6U, depending on required channels
Delivery Package	MAM4 system and power cable
Warranty	12 months

Customer specific versions are available on request

Example:

MAM4-16 with SMA(f) on Front

