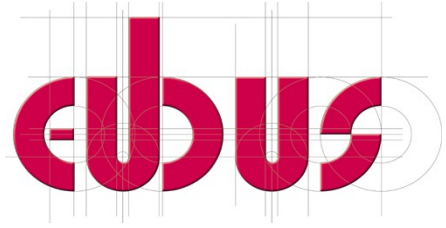


eubus gmbh
Theresienstrasse 148
80333 München
www.eubus.net



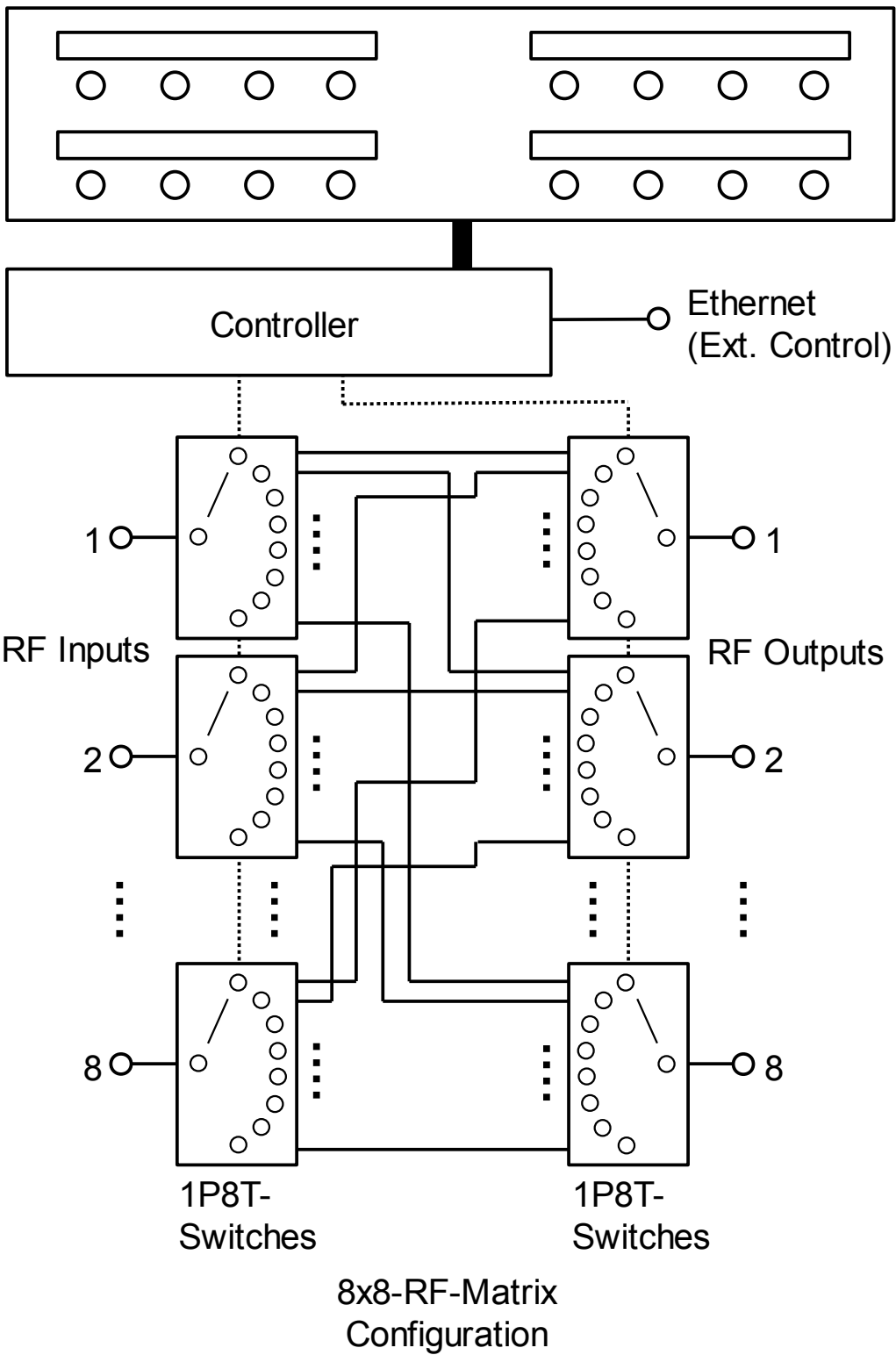
eubus MSU-8x8 – Matrix Switch Unit

The eubus MSU-8x8 RF Matrix Switch Unit independently connects 8 RF inputs to 8 RF outputs (blocking configuration). The connection scheme is freely programmable by an easy adjustable knob per port or via Ethernet by simple commands.

This electronically controlled RF Switch Matrix can replace classical complex RF Patch Panels.

The frequency range is 0.38-2.5GHz or 0.7-6.0GHz

Display and Manual Control



Technical Data:

Type	MSU-8x8
Frequency Range	0.38 – 2.5GHz or 0.7 – 6.0GHz
Configuration	8P8T blocking
Insertion Loss	< 6dB (2.5GHz), <7dB (6GHz)
Isolation	> 50 dB
Impedance	50 Ohm
RF Connectors	N(f), SMA(f) or customized Front or Backside
Ethernet Connector	RJ-45
Input Power	max. 100mW average
Ambient Temperature	0°C ... +50°C
Power Supply	100V – 240V, 47Hz - 63Hz
Housing	19" aluminum with 3U
Warranty	12 months

Customer specific configurations between 2x2 and 16x16 are available upon request.

Example:

MSU-8x8 Matrix Switch Unit with N(f) connectors on front.

