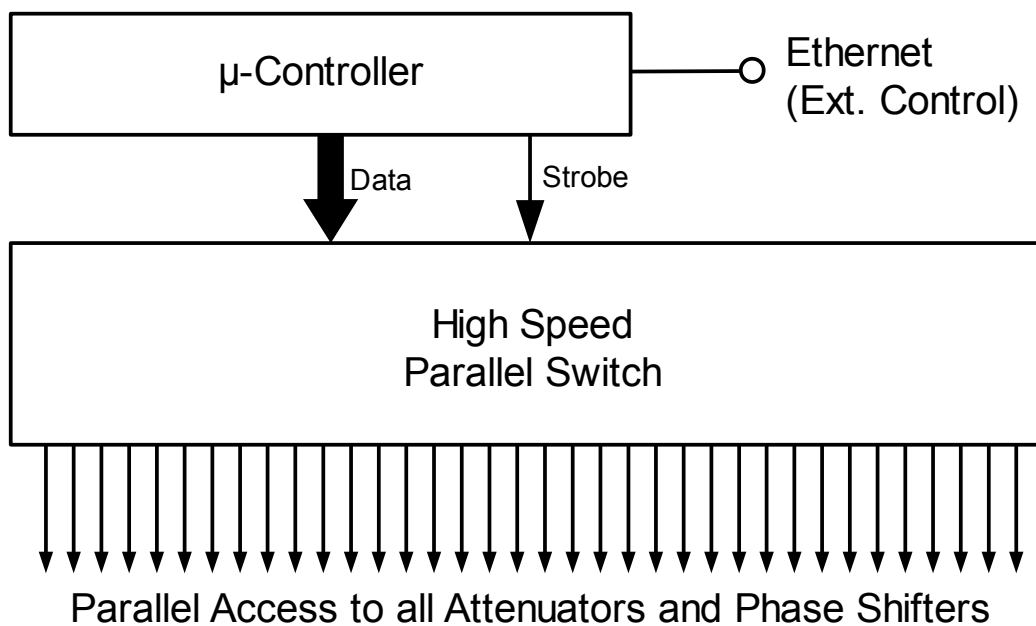


## eubus High-Speed (-HS) Option for RF-Systems

The eubus RF systems with electrically switchable attenuators and phase shifters are available with a high-speed switch option. With the -HS option they can switch up to 4000 times per second. This is achieved by a fully parallel access to the actuator modules:



All attenuator and phase shift modules are directly connected to a register set and therefore all switch are triggered at almost the same time ( $\pm 20\text{ns}$ ) up to 4000 times per second.

This enables extremely fast simulation scenarios.

The -HS option is available for the following systems:

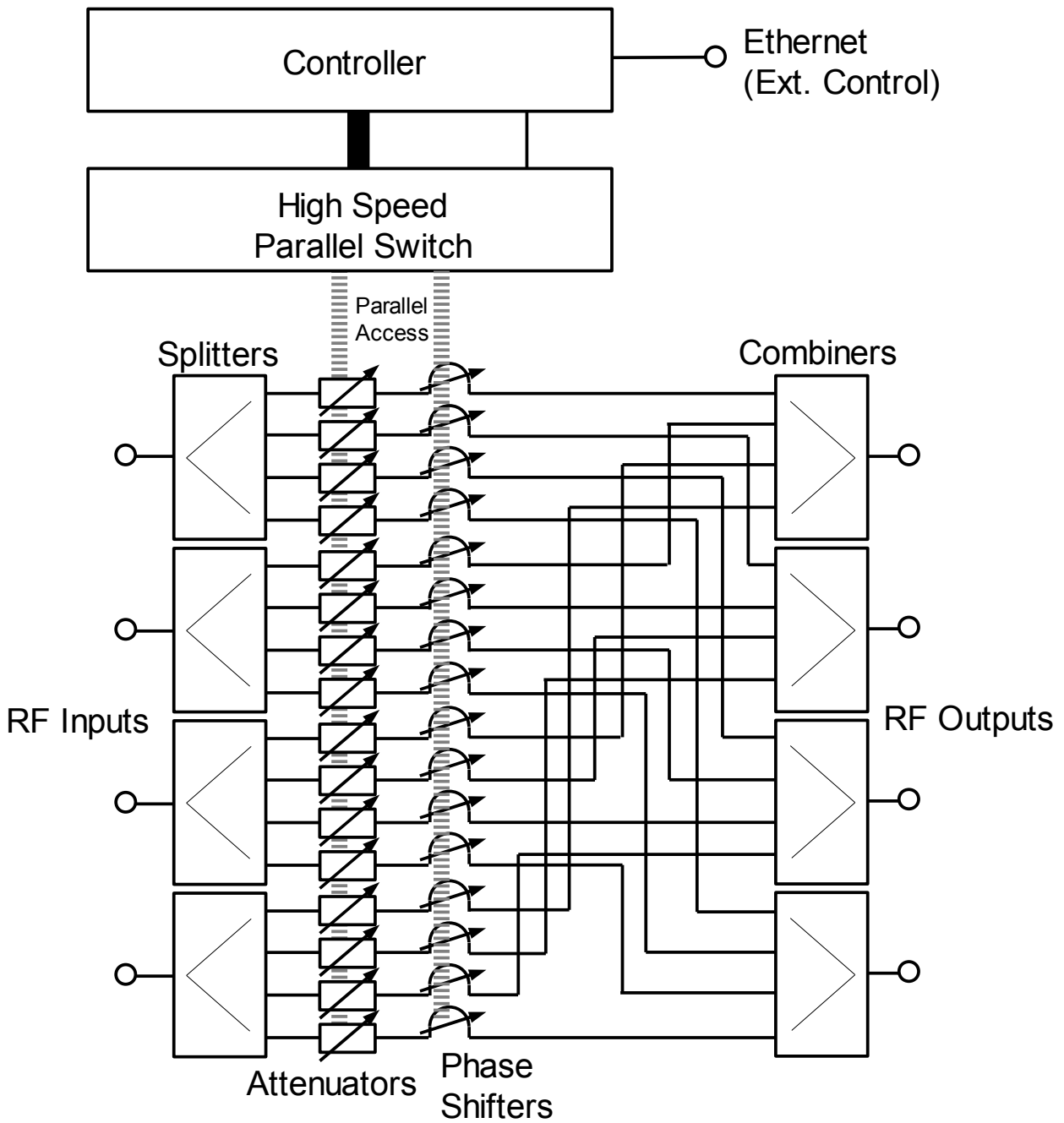
- NAM4 – Network Attenuator Module
- HCU4 – Handover Coupling Unit
- MCU4 – Matrix Coupling Unit

With -HS option, all this systems come without manual controls. They are only accessible via Ethernet.

Because of the stackable parallel switch, more RF attenuators and phase shifters can be accessed compared to the standard units.

# Example:

High Speed MCU-4x4 Matrix Coupling Unit with phase shifters for MiMo-Tests.



# Example:

MCU-8x4 Configuration with 32 attenuators:

